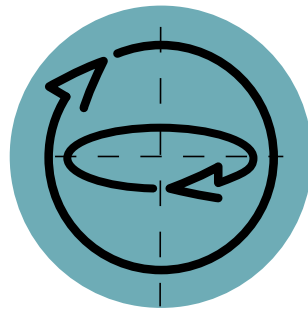


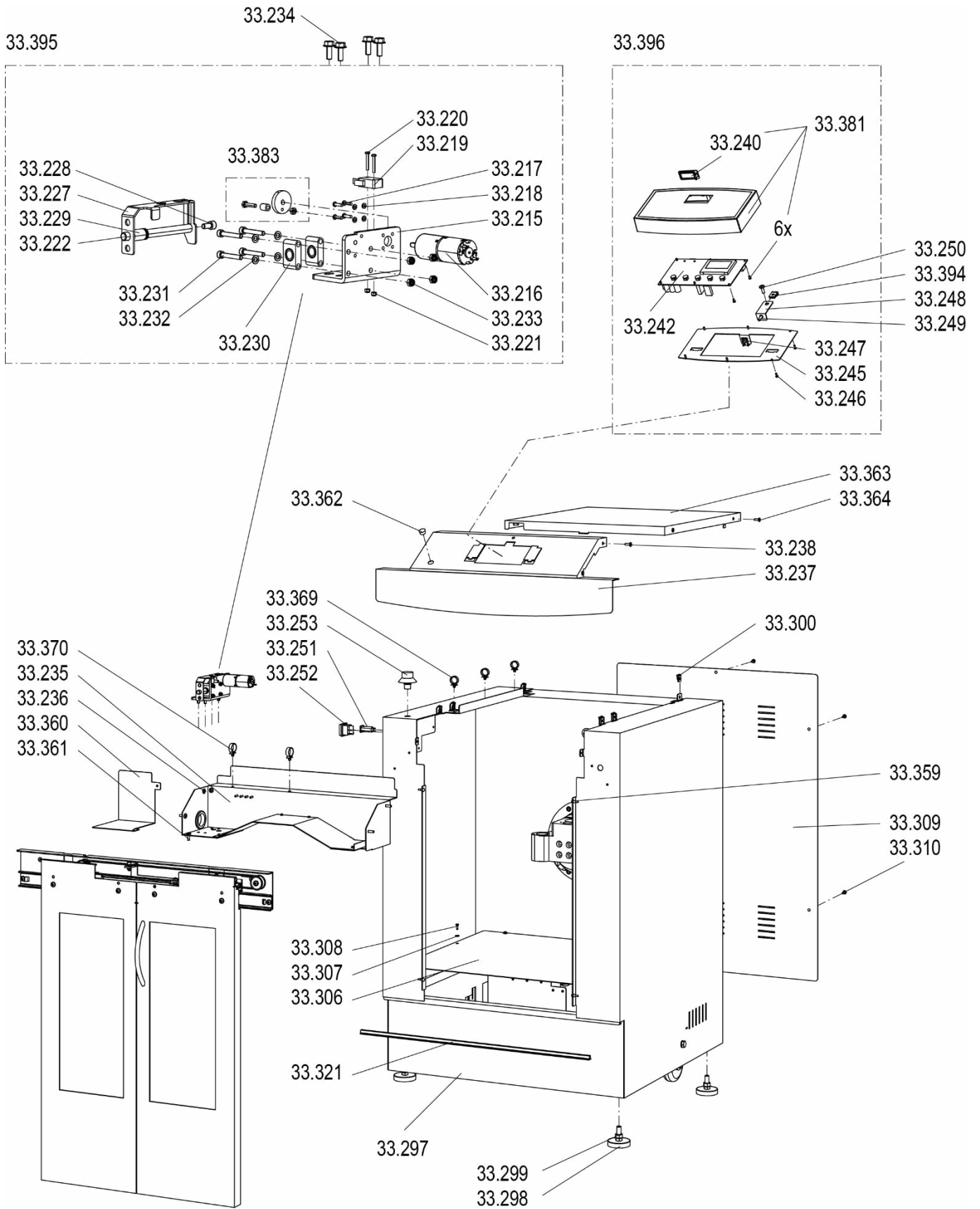
Ersatzteilliste
Spare Parts List
Liste de pièces détachées

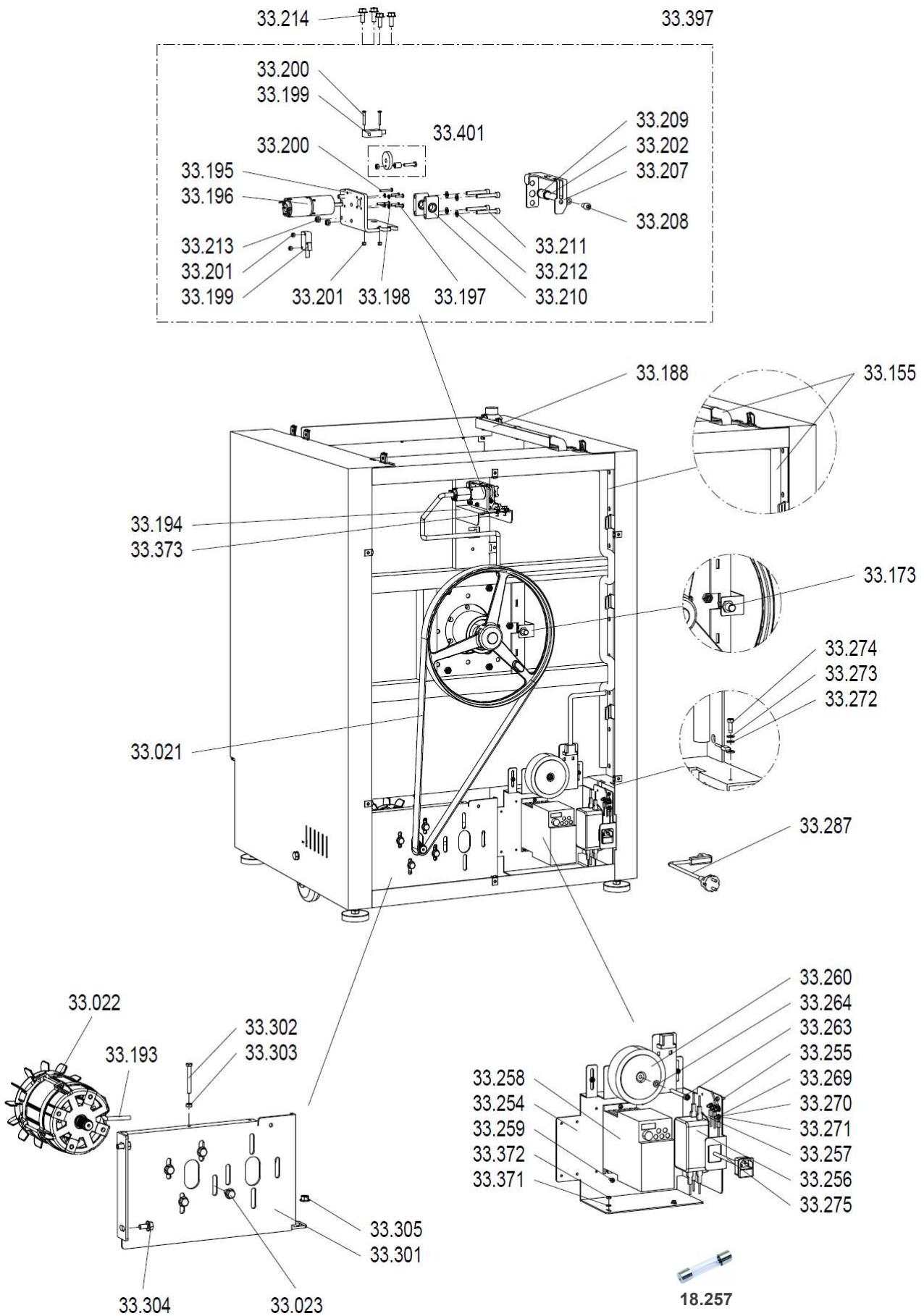


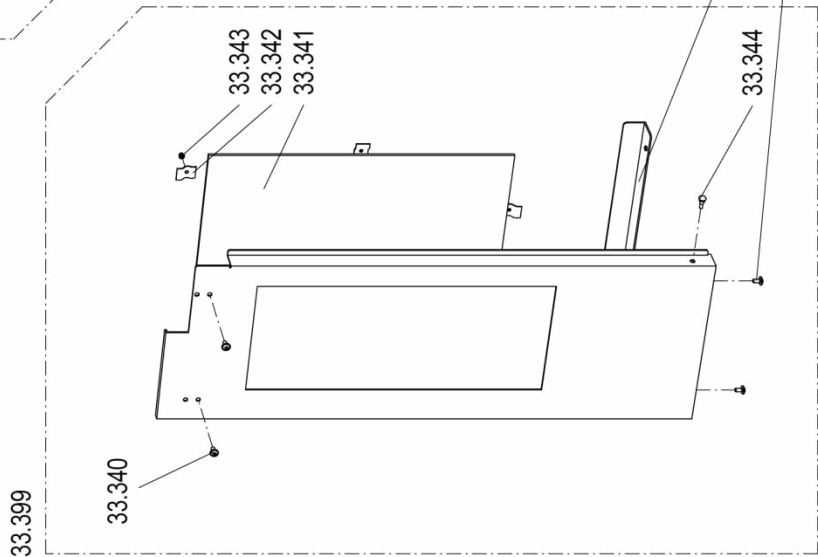
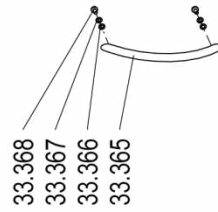
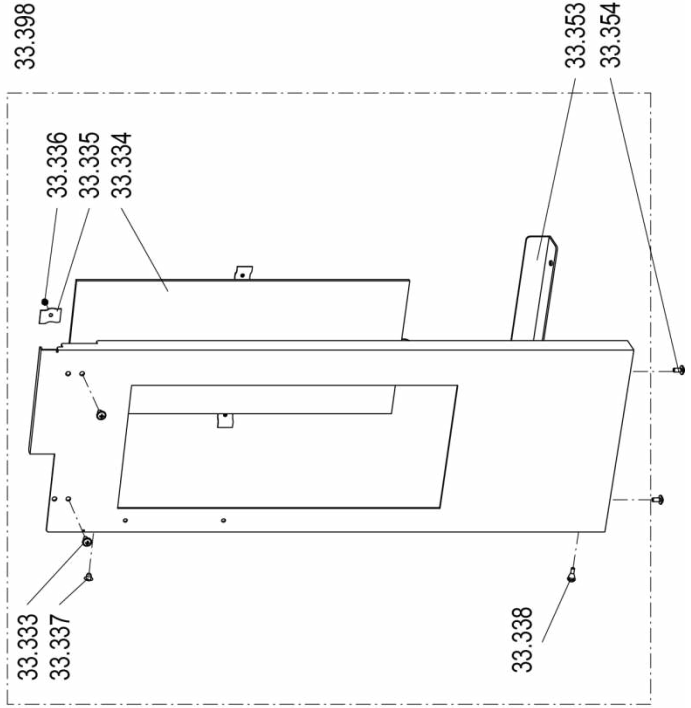
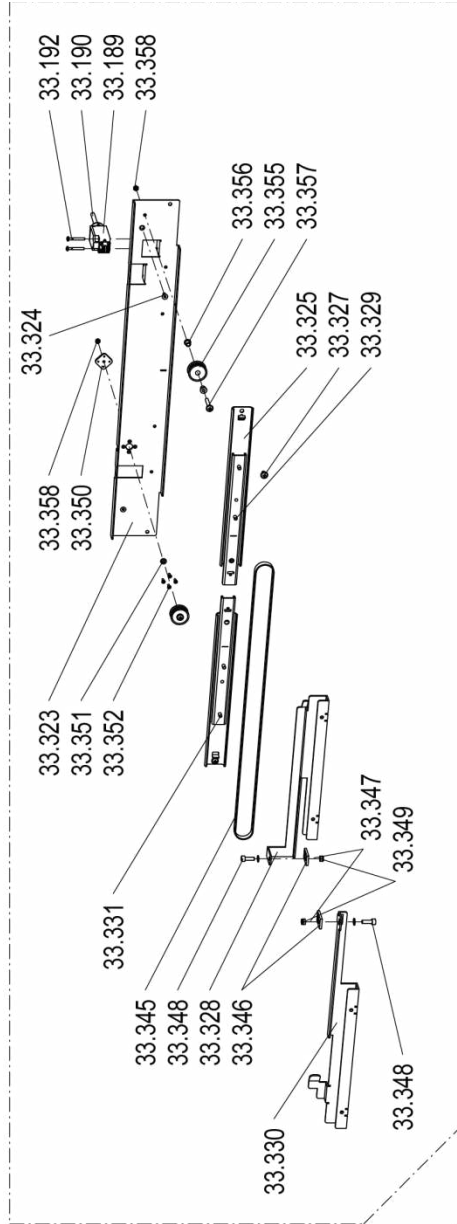
BIAX 35

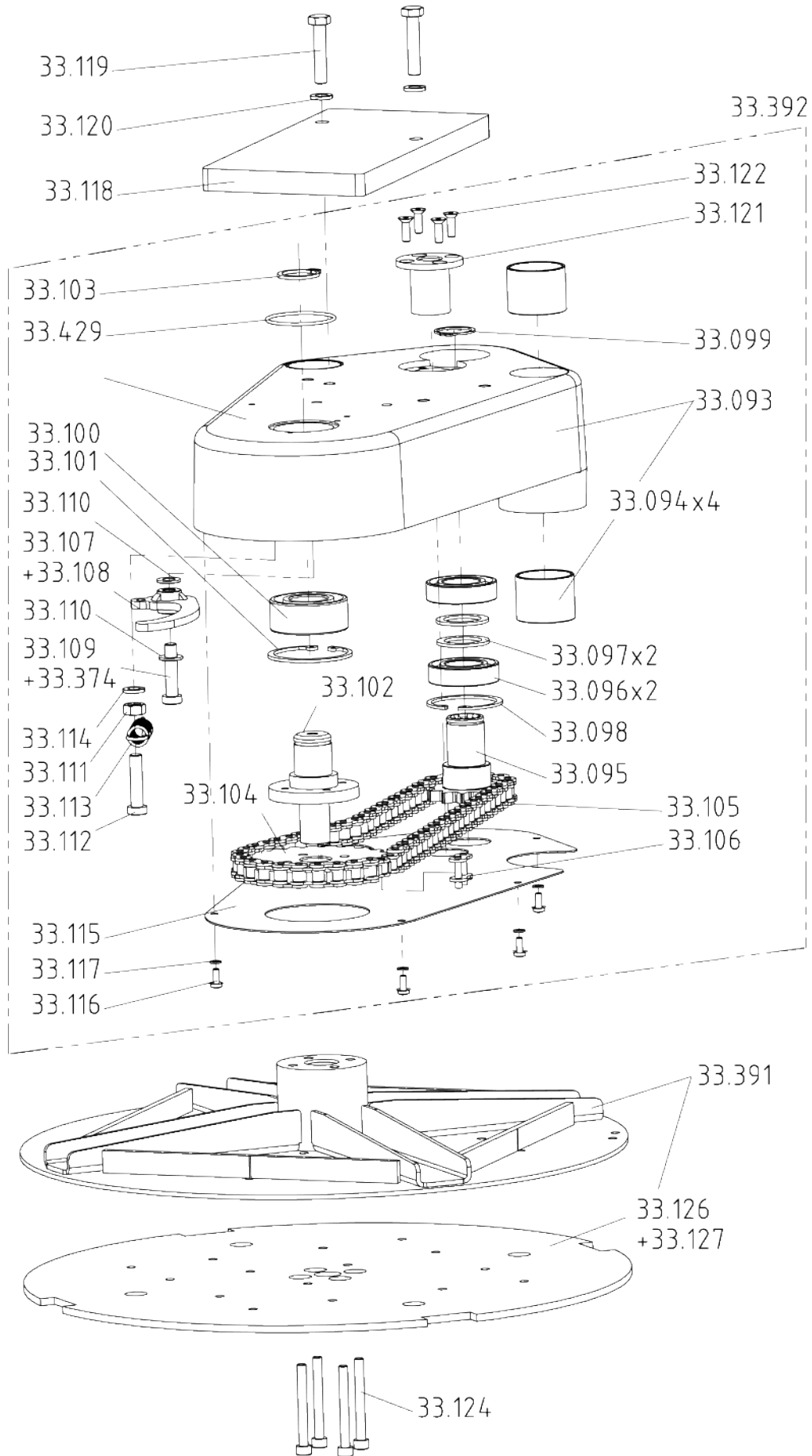
 **Collomix**

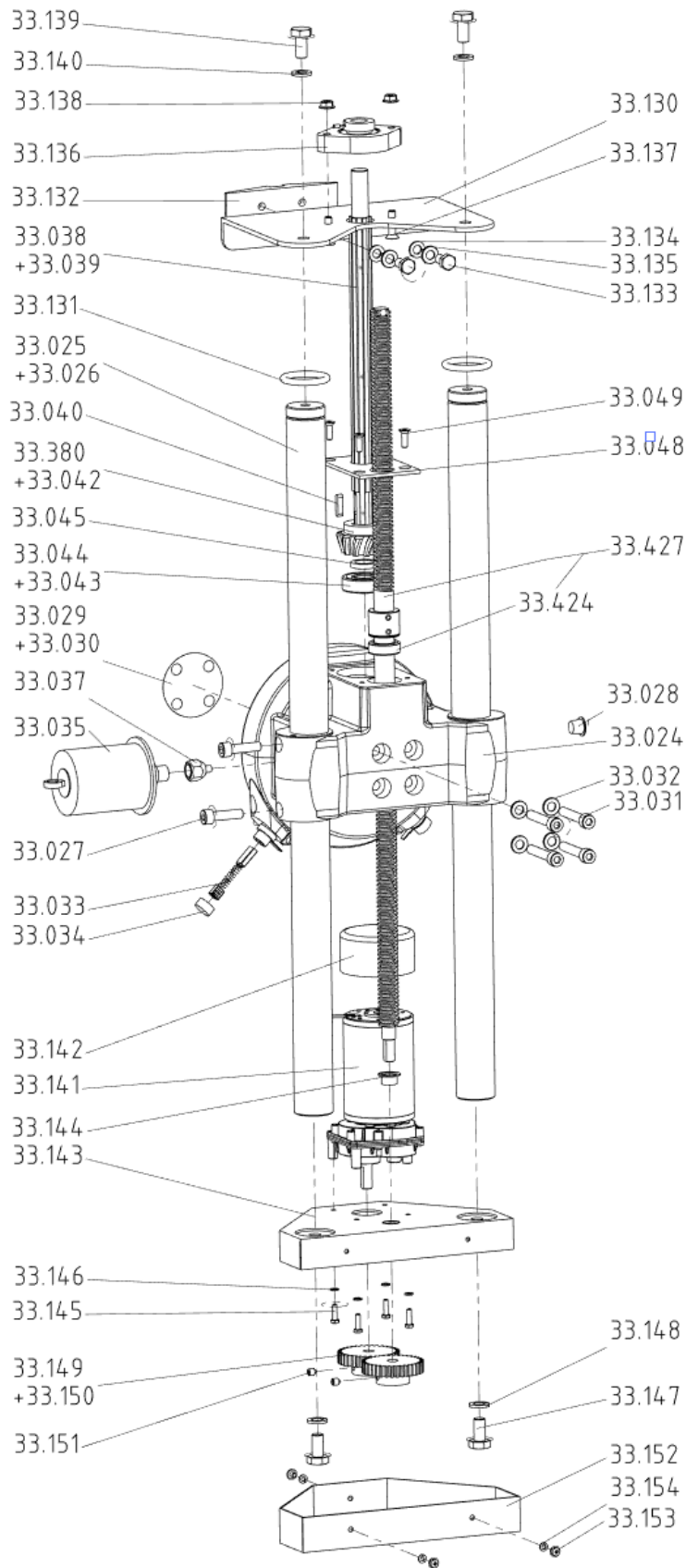
Leere Seite / Blank page / Page vide

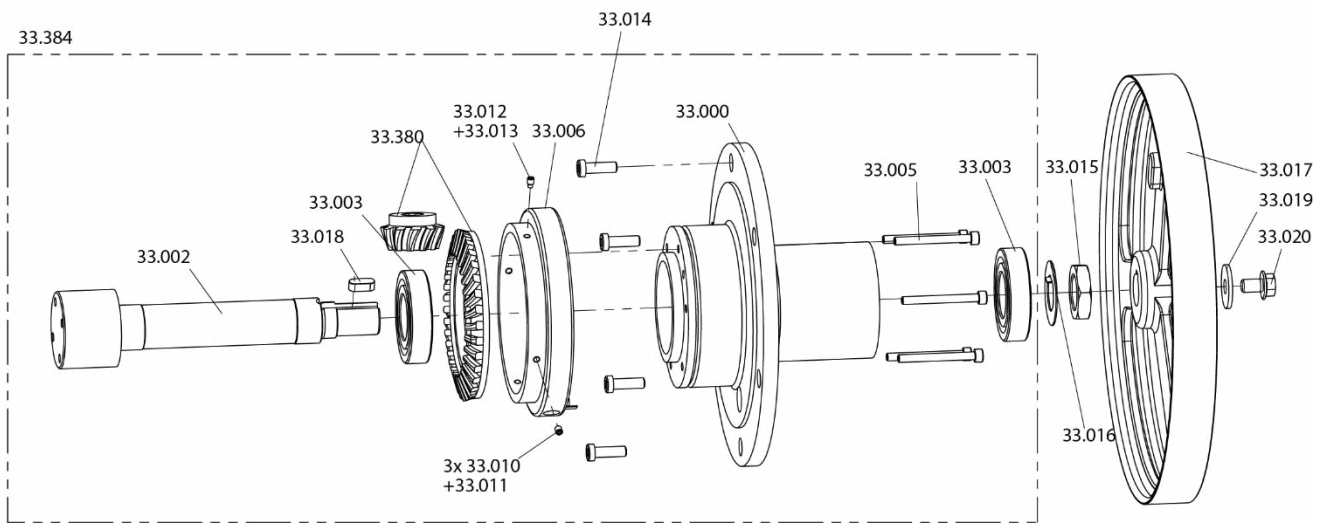
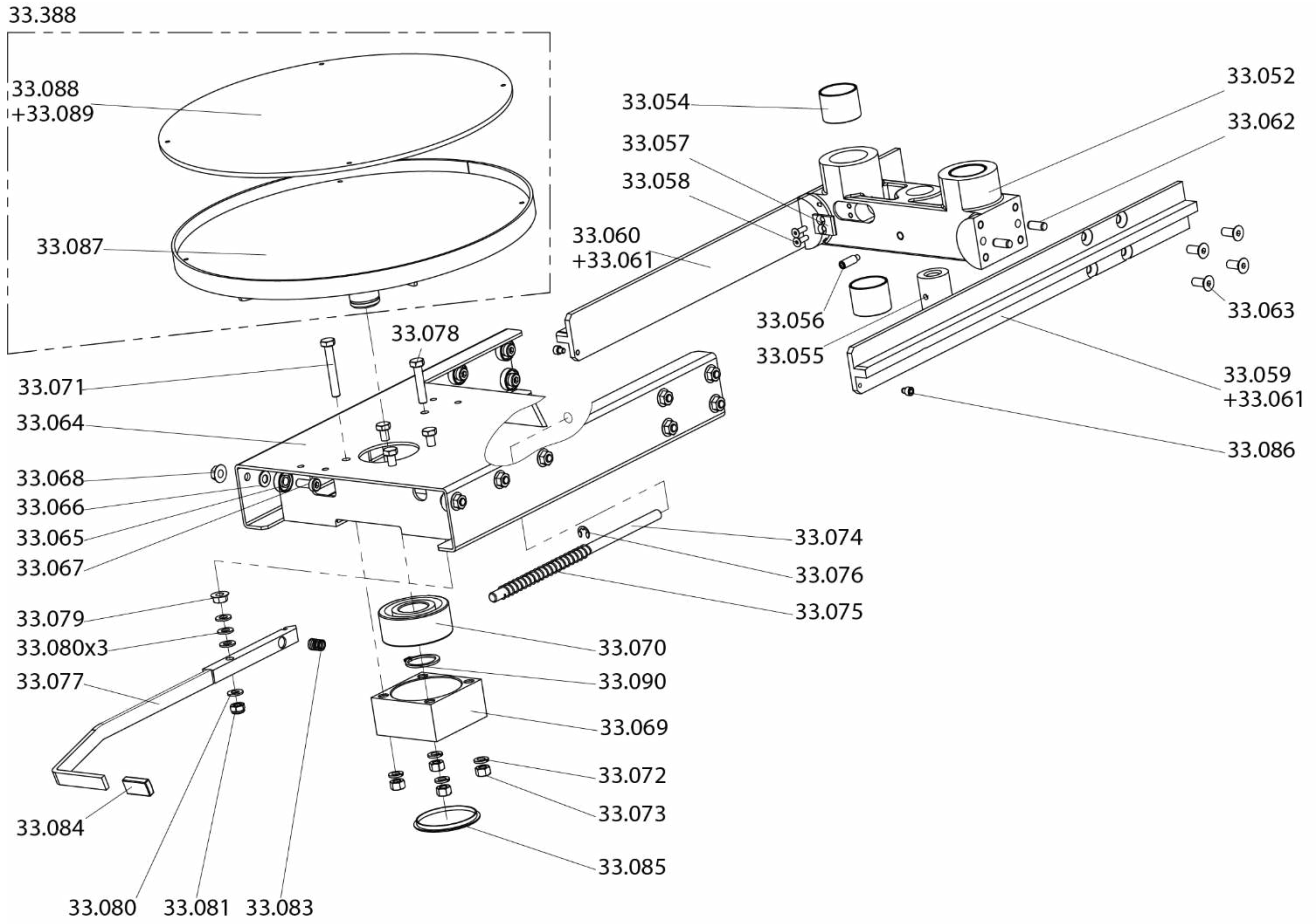












Z.-Nr. Item No. No. écl.	Art.-Nr. Order No. N° réf.	Artikel D	Designation GB	Designation F
18.257	64.444	Feinsicherung 10A TT (Päck á 10 St.)	Time-lag fuse 10A TT (10 pcs.)	Fusible fin 10A TT (10 pce.)
33.000	72.134	Lagerflansch	Bearing flange	Flasque de palier
33.002	62.906	Antriebswelle	Drive shaft	Arbre d'entraînement
33.003	69.003	Schrägkugellager 7207 B	Angular ball bearing 7207 B	Roulement à billes oblique 7207 B
33.005	50.866	DIN 912 Inbusschraube M6x60 10.9 zn	DIN 912 Socket head screw M6x60 10.9 galv.	DIN 912 Boulon Inbus M6x60 10.9 zingué
33.006	72.005	Schleifring	Slip ring	Bague de frottement
33.010	50.919	DIN 914 Gewindestift M5x8 zn	DIN 914 Threaded pin M5x8 galv.	DIN 914 Tige filetée M5x8 zingué
33.011	61.302	Schraubensicherung Loctite 270	Screw locking Loctite 270	Fusible de vis Loctite 270
33.012	50.954	DIN 915 Gewindestift M5x8	DIN 915 Threaded pin M5x8	DIN 915 Tige filetée M5x8
33.013	61.302	Schraubensicherung Loctite 270	Screw locking Loctite 270	Fusible de vis Loctite 270
33.014	51.073	DIN 6912 Inbusschraube M8x25 zn	DIN 6912 Socked head screw M8x25 galv.	DIN 6912 Boulon Inbus M8x25 zingué
33.015	51.132	Sechskantmutter M 28 x 1,5 Feingewinde	Hexagon nut M28x1,5 fine thread	Ecrou hexagonal M28x1,5 filetage ténu
33.016	51.133	DIN 462 Sicherungsblech m.	DIN 462 Lock plate	DIN 462 Rondelle d'arrêt
33.017	62.691	Riemenscheibe	Pulley	Poulie
33.018	51.086	DIN 6885 Paßfeder Form A 8x7x20	DIN 6885 Feather key form A 8x7x20	DIN 6885 Clavette parallèle forme A 8x7x20
33.019	50.132	DIN 440 Scheibe 11,0 R	DIN 440 Washer 11,0 R	DIN 440 Disque 11,0 R
33.020	50.098	Tensilock-Schraube M10x16 zn F90	Self-locking screw M5x12 F90	Vis autoblocante M5x12 zingué F90
33.021	62.428	Poly-V-Riemen PJ12 l= 1651mm	Poly-V-belt PJ12 l= 1651mm	Courroie Poly-V PJ12 l= 1651mm
33.022	72.070	Hauptmotor 3x230V ET	Main motor 3x230V ET	Moteur principal 3x230V ET
33.023	50.088	Tensilock-Schraube M8x16 zn F90	Self-locking screw M8x16 F90	Vis autoblocante M8x16 zingué F90
33.024	72.156	Nabe	Hub	Moyeu
33.025	62.168	Führungswelle	Guide shaft	Arbre de guidage
33.026	00.629	Essolube XT3 15W40	Essolube XT3 15W40	Essolube XT3 15W40
33.027	50.968	DIN 912 Inbusschraube M8x30	DIN 912 Socket head screw M8x30	DIN 912 Boulon Inbus M8x30
33.028	62.151	Abdeckstopfen	Taking off plug	Bouchon de couverture
33.029	71.009	Distanzscheibe 0,1	Shim 0,1	Cale 0,1 CGP
33.030	71.010	Distanzscheibe 0,2	Shim 0,2	Cale 0,2 CGP
33.031	50.850	DIN 912 Inbusschraube M8x50 zn	DIN 912 Socket head screw M8x50 galv.	DIN 912 Boulon Inbus M8x50 zingué
33.032	50.027	DIN 125 Scheibe B8,4	DIN 125 Disc B8,4	DIN 125 Rondelle B8,4
33.033	62.006	Kohlebürsten 300	Carbon brushes 300	Balais de charbons 300
33.034	62.008	Kohlebürstenkappen	Carbon brush caps	Capuchon de balais de charbons
33.035	72.047	Permaschmierung + Aktivierungsschraube	Perma lubrication with activating screw	Graissage permanent avec vis d'activation
33.037	62.122	Reduzierstück Permaschmierung	Perma lubrication reducing piece	Graissage permanent réducteur
33.038	72.157	Keilwelle 337 mm	Spline shaft 337 mm	Arbre cannelé 337 mm
33.039	00.629	Essolube XT3 15W40	Essolube XT3 15W40	Essolube XT3 15W40
33.040	51.025	DIN 6885 Paßfeder FormA 5x5x20	DIN 6885 Feather key formA 5x5x20	DIN 6885 Clavette parallèle formeA 5x5x20
33.042	60.415	Perma SF 02 Getriebefett	Perma SF 02 grease for gear	Perma SF 02 graisse pour engrenage
33.043	61.299	Fett EP2 150 gr.	Grease EP2 150gr.	Graisse EP2 150gr.
33.044	69.009	Schrägkugellager 7203 B	Angular ball bearing 7203 B with	Roulement à billes oblique 7203 B
33.045	62.213	Distanzstück	Distance piece	Câle d'ajustement
33.048	71.019	Abdeckung kpl.	Cover compl.	Couvercle compl.
33.049	51.026	DIN 7991 Senkk Innen-6-Kant M5x12 zn	DIN 7991 Countersunk socket head hex screw M5x12	DIN 7991 Vis 6 pans creux M5x12 zingué
33.052	72.000	Spannbackenträger	Clamping jaw support	Support de mâchoire de serrage

Z.-Nr. Item No. No. écl.	Art.-Nr. Order No. N° réf.	Artikel D	Designation GB	Designation F
33.054	61.062	Buchse 3530 DP 4	Bushing 3530 DP 4	Douille 3530 DP 4
33.055	61.063	Spindelmutter rechts	Spindle nut right	Ecrou de vis sans fin droit
33.056	50.838	DIN 915 Gewindestift M8x25	DIN 915 Threaded pin M8x25	DIN 915 Tige filetée M8x25
33.057	71.022	Arretierhebelplatte	Locking lever plate	Plaque de levier de blocage
33.058	51.026	DIN 7991 Senkk Innen-6-Kant M5x12 zn	DIN 7991 Countersunk socket head hex screw M5x12	DIN 7991 Vis 6 pans creux M5x12 zingué
33.059	72.319	Tragarm rechts	Support arm right	Bras support droite
33.060	72.320	Tragarm links	Support arm left	Bras support gauche
33.061	61.299	Fett EP2 150 gr.	Grease EP2 150gr.	Graisse EP2 150gr.
33.062	51.058	DIN 6325 Zylinderstift 8mm/ 8x20	DIN 6325 Cheese head screw 8mm M6x20	DIN 6325 Tige cylindrique 8mm M6x20
33.063	51.057	DIN 7991 Senkk Innen-6-Kant M8x20 zn	DIN 7991 Countersunk socket head hex screw M8x20	DIN 7991 Vis 6 pans creux M8x20 zingué
33.064	72.638	Schlitten	Slide	Chariot
33.065	69.014	Rillenkugellager 608 ZZ	Deep groove ball bearing 608 ZZ	Roulement à billes rigide 608 ZZ
33.066	50.027	DIN 125 Scheibe B8,4	DIN 125 Disc B8,4	DIN 125 Rondelle B8,4
33.067	51.094	DIN 6912 Inbusschraube M8x20 zn	DIN 6912 Socket head screw M8x20 galv.	DIN 6912 Boulon Inbus M8x20 zingué
33.068	50.092	Tensilock-Sicherungsmuttern M8 zn F90	Self-locking nut M8 F90	Ecrou autoblocant M8 zingué F90
33.069	62.215	Lageraufnahme	Support for bearing	Logement de roulement
33.070	69.013	Schrägkugellager 3306	Angular ball bearing 3306	Roulement à billes oblique 3306
33.071	50.867	DIN 933 6-Kant-Schraube M8x55 zn	DIN 933 Hex screw M8x55 galv.	DIN 933 Boulon hex. M8x55 zingué
33.072	50.006	DIN 127 Federring B8 zn	DIN 127 Split washer B8 galv.	DIN 127 Rondelle Grower B8 zingué
33.073	50.804	DIN 934 6-Kant-Mutter M8	DIN 934 Hex nut M8	DIN 934 Écrou hex. M8
33.074	72.195	Sicherungsstift	Locking pin	Goupille de sécurité
33.075	61.323	Druckfeder	Compression spring	Ressort de pression
33.076	51.028	DIN 6799 Sicherungsscheibe di7	DIN 6799 Lock washer di7	DIN 6799 Anneau d'arrêt di7
33.077	72.163	Arretierhebel	Locking lever	Levier de blocage
33.078	50.894	DIN 933 6-Kant-Schraube M8x40 8.8 zn	DIN 933 Hex screw M8x40 8.8 galv.	DIN 933 Boulon hex. M8x40 8.8 zingué
33.079	50.092	Tensilock-Sicherungsmuttern M8 zn F90	Self-locking nut M8 F90	Ecrou autoblocant M8 zingué F90
33.080	50.027	DIN 125 Scheibe B8,4	DIN 125 Disc B8,4	DIN 125 Rondelle B8,4
33.081	50.871	DIN 985 6-Kant-Mutter M8 zn	DIN 985 Hex nut M8 galv.	DIN 985 Écrou hex. M8 zingué
33.082	61.302	Schraubensicherung Loctite 270	Screw locking Loctite 270	Fusible de vis Loctite 270
33.083	62.027	Druckfeder	Compression spring	Ressort de pression
33.084	62.218	Flachkappe PVC schwarz 15x5x30 mm	Cap PVC black 15x5x30 mm	Capuchon noir PVC 15x5x30 mm
33.085	62.234	Abdeckung schwarz LLD-PE	Cover black LLD-PE	Couvercle noir LLD-PE
33.086	50.902	DIN 912 Inbusschraube M5x6 8.8 zn	DIN 912 Socket head screw M5x6 8.8 galv.	DIN 912 Boulon Inbus M5x6 8.8 zingué
33.087	72.186	Spannteller unten Biax 35/45/45S	Clamping plate bottom Biax 35/45/45S	Plateau de serrage inférieur Biax 35/45/45S
33.088	62.527	Linatex-Scheibe unten 362x5	Lower disk Linatex 362x5	Disque Linatex inférieur 362x5
33.089	61.026	Kleber DELO-CA 2153 50g	Glue DELO-CA 2153 50g	Colle DECO-CA2153 50g
33.090	50.429	DIN 471 Sicherungsring 30	DIN 471 Lock ring 30	DIN 471 Circlip 30
33.093	72.069	Spannbacken ET	Clamping jaw ET	Mâchoire de serrage ET
33.094	61.062	Buchse 3530 DP 4	Bushing 3530 DP 4	Douille 3530 DP 4
33.095	62.056	Keilwellen-Kettenrad	Spline shaft sprocket	Pignon de chaine d'arbre canalisé
33.096	69.008	Rillenkugellager 6005 Z	Deep groove ball bearing 6005 Z	Roulement à billes rigide 6005 Z
33.097	50.815	DIN 988 Paßscheibe D35d25S2	DIN 988 Shim ring D35d25S2	DIN 988 Rondelle d'ajustage D35d25S2

Z.-Nr. Item No. No. écl.	Art.-Nr. Order No. N° réf.	Artikel D	Designation GB	Designation F
33.098	50.414	DIN 472 Sicherungsring 47x1,75	DIN 472 Lock ring 47x1,75	DIN 472 Circlip 47x1,75
33.099	50.415	DIN 471 Sicherungsring 25x1,2	DIN 471 Lock ring 25x1,2	DIN 471 Circlip 25x1,2
33.100	69.007	Schrägkugellager 3205	Angular ball bearing 3205	Roulement à billes oblique 3205
33.101	50.413	DIN 472 Sicherungsring 52x2	DIN 472 Lock ring 52x2	DIN 472 Circlip 52x2
33.102	62.220	Lagerbolzen oben	Bearing pin top	Axe d'articulation supérieur
33.103	50.430	DIN 471 Sicherungsring 25	DIN 471 Lock ring 25	DIN 471 Circlip 25
33.104	62.057	Kettenrad	Chain wheel	Pignon de chaîne
33.105	62.340	Rollenkette 08-B-1 63 Glieder	Roller chain 08-B-1 63 elements	Chaîne à rouleaux 08-B-1 63 maillons
33.106	62.101	Verschlußglied 08B1	Closing link 08 B1	Maillon de raccord 08 B1
33.107	72.056	Kettenspanner rechtsdrehend	Tendeur de chaîne	Tendeur de chaîne tournant à gauche
33.108	61.299	Fett EP2 150 gr.	Grease EP2 150gr.	Graisse EP2 150gr.
33.109	51.066	DIN 7984 Inbusschraube M8x35 zn	DIN 7984 Socket screw M8x35 galv.	DIN 7984 Boulon Inbus M8x35 zingué
33.110	50.027	DIN 125 Scheibe B8,4	DIN 125 Disc B8,4	DIN 125 Rondelle B8,4
33.111	50.804	DIN 934 6-Kant-Mutter M8	DIN 934 Hex nut M8	DIN 934 Écrou hex. M8
33.112	51.066	DIN 7984 Inbusschraube M8x35 zn	DIN 7984 Socket screw M8x35 galv.	DIN 7984 Boulon Inbus M8x35 zingué
33.113	62.028	Zugfeder Z 142 X	Tension spring Z-142X	Ressort Z-142 X
33.114	50.006	DIN 127 Federring B8 zn	DIN 127 Split washer B8 galv.	DIN 127 Rondelle Grower B8 zingué
33.115	62.338	Abdeckplatte für Spannbacken	Cover plate clamping jaw	Plaque d'étanchéité pour mâchoire de serrage
33.116	51.002	DIN 7985 Linsenschraube M4x10 zn	DIN 7985 Oval head screw M4x10 galv.	DIN 7985 Vis à tête bombée M4x10 zingué
33.117	50.017	DIN 127 Federring B4 zn	DIN 127 Split washer B4 galv.	DIN 127 Rondelle Grower B4 zingué
33.118	62.908	Ausgleichsgewicht	Compensating weight	Contrepoids
33.119	50.894	DIN 933 6-Kant-Schraube M8x40 8.8 zn	DIN 933 Hex screw M8x40 8.8 galv.	DIN 933 Boulon hex. M8x40 8.8 zingué
33.120	50.006	DIN 127 Federring B8 zn	DIN 127 Split washer B8 galv.	DIN 127 Rondelle Grower B8 zingué
33.121	61.079	Spindelmutter links	Spindle nut left	Ecrou de broche fileté gauche
33.122	51.026	DIN 7991 Senkk Innen-6-Kant M5x12 zn	DIN 7991 Countersunk socket head hex screw M5x12	DIN 7991 Vis 6 pans creux M5x12 zingué
33.123	72.751	Spannteller oben	Clamping plate top	Plateau de serrage supérieur
33.124	50.899	DIN 912 Inbusschraube M6x55 zn	DIN 912 Socket head screw M6x55 galv.	DIN 912 Boulon Inbus M6x55 zingué
33.126	62.526	Linatex-Scheibe oben 405x5	Upper disk Linatex 405x5	Disque Linatex supérieur 405x5
33.127	61.026	Kleber DELO-CA 2153 50g	Glue DELO-CA 2153 50g	Colle DECO-CA2153 50g
33.130	62.922	Anlauframpenbock	Approach ramp support	Palier de rampe de démarrage
33.131	50.077	O-Ring Ø 34x5,5	O- ring seal Ø 34x5,5	Joint torique Ø 34x5,5
33.132	71.046	Anlauframpe	Approach ramp	Rampe de démarrage
33.133	50.808	DIN 933 6-Kant-Schraube M8x16 zn	DIN 933 Hex screw M8x16 galv.	DIN 933 Boulon hex. M8x16 zingué
33.134	50.027	DIN 125 Scheibe B8,4	DIN 125 Disc B8,4	DIN 125 Rondelle B8,4
33.135	50.006	DIN 127 Federring B8 zn	DIN 127 Split washer B8 galv.	DIN 127 Rondelle Grower B8 zingué
33.136	69.021	Flanschlager FLCTEY 15	Flange bearing FLCTY 15	Palier de flasque FLCTY 15
33.137	51.118	DIN 7991 Senkk Innen-6-Kant M6x25 8.8 zn	DIN 7991 Countersunk socket head hex screw M6x25	DIN 7991 Vis 6 pans creux M6x25 8.8 zingué
33.138	50.091	Tensilock-Sicherungsmuttern M6 zn F90	Self-locking nut M6 F90	Ecrou autobloquant M6 zingué F90
33.139	50.805	DIN 933 6-Kant-Schraube M10x20 8.8 zn	DIN 933 Hex screw M10x20 8.8 galv.	DIN 933 Boulon hex. M10x20 8.8 zingué
33.140	50.064	DIN 127 Federring B10,5 zn	DIN 127 Split washer B10,5 galv.	DIN 127 Rondelle Grower B10,5 zingué
33.141	72.411	Spannmotor	Clamping motor	Motor de serrage
33.142	62.279	Rohrkappe Ø 63x36 schwarz	Pipe cap Ø 63x36 black	Calotte de tube Ø 63x36 noir

Z.-Nr. Item No. No. écl.	Art.-Nr. Order No. N° réf.	Artikel D	Designation GB	Designation F
33.143	72.640	Getriebegehäuse	Gear box	Carter d'engrenages
33.144	62.149	Bundbuchse BB DP 4	Headed bushing BB DP 4	Douille de raccordement BB DP 4
33.145	50.942	DIN 933 6-Kant-Schraube M4x14 zn	DIN 933 Hex screw M4x14 galv.	DIN 933 Boulon hex. M4x14 zingué
33.146	50.017	DIN 127 Federring B4 zn	DIN 127 Split washer B4 galv.	DIN 127 Rondelle Grower B4 zingué
33.147	50.805	DIN 933 6-Kant-Schraube M10x20 8.8 zn	DIN 933 Hex screw M10x20 8.8 galv.	DIN 933 Boulon hex. M10x20 8.8 zingué
33.148	50.064	DIN 127 Federring B10,5 zn	DIN 127 Split washer B10,5 galv.	DIN 127 Rondelle Grower B10,5 zingué
33.149	62.009	Stirnrad Z35	Spur gear Z35	Engrenage cylindrique Z35
33.150	61.299	Fett EP2 150 gr.	Grease EP2 150gr.	Graisse EP2 150gr.
33.151	50.904	DIN 914 Gewindestift 45H M6x8	DIN 914 Threaded pin 45H M6x8	DIN 914 Tige filetée 45H M6x8
33.152	62.226	Abdeckung Getriebegehäuse	Cover for gear case	Couvercle pour carter d'engrenages
33.153	51.064	DIN 7985 Linsenschraube M4x6 zn	DIN 7985 Oval head screw M4x6 galv.	DIN 7985 Vis á tête bombée M4x6 zingué
33.154	50.017	DIN 127 Federring B4 zn	DIN 127 Split washer B4 galv.	DIN 127 Rondelle Grower B4 zingué
33.155	72.053	Kabelbaum	Wiring harness	Faisceau de câbles
33.173	63.044	Näherungsschalter	Proximity switch	Commutateur d'approche
33.189	74.176	Türschalter	Door switch	Interrupteur de porte
33.190	61.295	Verschraubung M20 x1,5	Screw connection M20 x1,5	Connection M20x1,5
33.192	50.021	DIN 7985 Linsenschraube M4x30	DIN 7985 Oval head screw M4x30	DIN 7985 Vis á tête bombée M4x30
33.193	72.596	Motorleitung	Cable for motor	Câble pour moteur
33.194	62.916	Halter Rasteinheit hinten	Wiring harness	Faisceau de câbles
33.195	62.499	Haltewinkel	Angle bracket	Équerre de fixation
33.196	62.452	Getriebemotor	Gear motor	Motoréducteur
33.197	50.128	ISO 7380 Flachkopfschr. M3x12	ISO 7380 screw M3x12	ISO 7380 vis M3x12
33.198	50.010	DIN 127 Federring B3 zn	DIN 127 Split washer B3 galv.	DIN 127 Rondelle Grower B3 zingué
33.199	61.363	Microschalter NO	Micro switch NO	Microcontacteur NO
33.200	50.123	ISO 7380 Flachkopfschr. M3x20	ISO 7380 screw M3x20	ISO 7380 vis M3x20
33.201	50.140	DIN 985 6-Kant-Mutter M3 zn	DIN 985 Hex nut M3 galv.	DIN 985 Écrou hex. M3 zingué
33.202	62.907	Raststift	Latching pin	Pointeau
33.207	62.509	Bügel Verriegelung	Locking yoke	Étrier de verrouillage
33.208	50.963	DIN EN ISO4762 Inbusschr M6x12	DIN EN ISO4762 Socket head screw M6x12	DIN EN ISO4762 Boulon Inbus M6x12
33.209	62.416	Druckfeder	Compression spring	Ressort de pression
33.210	62.410	Stehlager	Pedestal bearing	Palier fixe
33.211	50.149	DIN 912 Inbusschraube M5x35 zn	DIN 912 Socket head screw M5x35 galv.	DIN 912 Boulon Inbus M5x35 zingué
33.212	50.032	DIN 125 Scheibe B5,3 ST zn	DIN 125 Disc B5,3 ST galv.	DIN 125 Rondelle B5,3 ST zingué
33.213	50.981	DIN 985 6-Kant-Mutter M5 zn	DIN 985 Hex nut M5 galv.	DIN 985 Écrou hex. M5 zingué
33.214	50.067	Tensilock-Schraube M6x12 zn F90 8.8	Self-locking screw M6x12 8.8	Vis autoblocante M 6x12 zinguée
33.215	62.499	Haltewinkel	Angle bracket	Équerre de fixation
33.216	62.452	Getriebemotor	Gear motor	Motoréducteur
33.217	50.128	ISO 7380 Flachkopfschr. M3x12	ISO 7380 screw M3x12	ISO 7380 vis M3x12
33.218	50.010	DIN 127 Federring B3 zn	DIN 127 Split washer B3 galv.	DIN 127 Rondelle Grower B3 zingué
33.219	61.363	Microschalter NO	Micro switch NO	Microcontacteur NO
33.220	50.123	ISO 7380 Flachkopfschr. M3x20	ISO 7380 screw M3x20	ISO 7380 vis M3x20
33.221	50.140	DIN 985 6-Kant-Mutter M3 zn	DIN 985 Hex nut M3 galv.	DIN 985 Écrou hex. M3 zingué
33.222	62.438	Raststift	Latching pin	Pointeau
33.227	62.509	Bügel Verriegelung	Locking yoke	Étrier de verrouillage
33.228	50.963	DIN EN ISO4762 Inbusschr M6x12	DIN EN ISO4762 Socket head screw M6x12	DIN EN ISO4762 Boulon Inbus M6x12

Z.-Nr. Item No. No. écl.	Art.-Nr. Order No. N° réf.	Artikel D	Designation GB	Designation F
33.229	62.416	Druckfeder	Compression spring	Ressort de pression
33.230	62.410	Stehlager	Pedestal bearing	Palier fixe
33.231	50.149	DIN 912 Inbusschraube M5x35 zn	DIN 912 Socket head screw M5x35 galv.	DIN 912 Boulon Inbus M5x35 zingué
33.232	50.032	DIN 125 Scheibe B5,3 ST zn	DIN 125 Disc B5,3 ST galv.	DIN 125 Rondelle B5,3 ST zingué
33.233	50.981	DIN 985 6-Kant-Mutter M5 zn	DIN 985 Hex nut M5 galv.	DIN 985 Écrou hex. M5 zingué
33.234	50.067	Tensilock-Schraube M6x12 zn F90 8.8	Self-locking screw M6x12 8.8	Vis autoblocante M 6x12 zinguée
33.235	62.909	Traverse oben	Cross beam	Traverse B35
33.236	51.164	DIN 967 Schraube M5x16	DIN 967 Screw M5x16	DIN 967 Vis M5x16
33.237	62.910	Aufnahme Bedienteil	Carrier control unit	Réceptacle de boîtier de commandes
33.238	51.164	DIN 967 Schraube M5x16	DIN 967 Screw M5x16	DIN 967 Vis M5x16
33.240	64.503	Abdeckstopfen	Cover plug	Bouchon de recouvrement
33.245	62.924	Deckel	Cover	Couvercle
33.246	50.119	Schraube 3,0 x 6 T10	Screw 3,0 x 6 T10	Vis 3,0 x 6 T10
33.247	50.160	Blechmutter/Schnappmutter	Blechmutter metrisch	Blechmutter metrisch
33.248	62.911	Winkel Bedienteil	Bracket control unit	Equerre de boîtier de commandes
33.249	51.164	DIN 967 Schraube M5x16	DIN 967 Screw M5x16	DIN 967 Vis M5x16
33.250	51.164	DIN 967 Schraube M5x16	DIN 967 Screw M5x16	DIN 967 Vis M5x16
33.251	64.357	Schutzschalter	Protective switch	Disjoncteur
33.252	62.483	Schalter 250V 16 A	Switch 230V 16A	Interrupteur 230V 16A
33.253	62.073	Not-Aus-Taster	Emergency-Stop pushbutton	Bouton d'arrêt d'urgence Biax - Rota
33.254	62.927	Halteblech	Bracket control unit	Tôle de tenue
33.255	50.973	DIN 7981 Linsenblechschraube	DIN 7981 Self tapping convex head screw	DIN 7981 Vis concave
33.256	62.597	Netzentschörfilter	Mains suppression	Filtre antiparasite de secteur
33.257	51.002	DIN 7985 Linsenschraube M4x10 zn	DIN 7985 Oval head screw M4x10 galv.	DIN 7985 Vis à tête bombée M4x10 zingué
33.258	64.378	Frequenzumrichter	Frequency converter	Convertisseur de fréquence
33.259	51.002	DIN 7985 Linsenschraube M4x10 zn	DIN 7985 Oval head screw M4x10 galv.	DIN 7985 Vis à tête bombée M4x10 zingué
33.260	64.379	Ringkerntransformator	Toroidal transformer	Transformateur toroïdal
33.263	50.875	DIN 912 Inbusschraube M6x65 zn	DIN 912 Socket head screw M6x65 galv.	DIN 912 Boulon Inbus M6x65 zingué
33.264	51.019	DIN 9021 Scheibe B6,4 zn	DIN 9021 Washer B6,4 galv.	DIN 9021 Rondelle B6,4 zingué
33.265	50.091	Tensilock-Sicherungsmuttern M6 zn F90	Self-locking nut M6 F90	Ecrou autoblocant M6 zingué F90
33.268	64.020	Kabelschelle	Cable clamp	Serre-câble
33.269	50.032	DIN 125 Scheibe B5,3 ST zn	DIN 125 Disc B5,3 ST galv.	DIN 125 Rondelle B5,3 ST zingué
33.270	50.017	DIN 127 Federring B4 zn	DIN 127 Split washer B4 galv.	DIN 127 Rondelle Grower B4 zingué
33.271	50.825	DIN 934 6-Kant-Mutter M4 zn	DIN 934 Hex nut M4 galv.	DIN 934 Écrou hex. M4 zingué
33.272	50.032	DIN 125 Scheibe B5,3 ST zn	DIN 125 Disc B5,3 ST galv.	DIN 125 Rondelle B5,3 ST zingué
33.273	50.017	DIN 127 Federring B4 zn	DIN 127 Split washer B4 galv.	DIN 127 Rondelle Grower B4 zingué
33.274	50.973	DIN 7981 Linsenblechschraube	DIN 7981 Self tapping convex head screw	DIN 7981 Vis concave
33.275	72.129	Kaltgerätestecker	Mains inlet	Fiche mâle
33.277	61.595	#NV	#NV	#NV
33.287	72.607	Netzkabel mit Kaltgerätestecker angewinkelt	Mains Cable with ICE connector	Câble d'alimentation secteur avec prise ICE
33.298	62.003	Maschinenfuß	Machine feet	Pieds Biax
33.299	50.853	DIN 934 6-Kant-Mutter M12 zn	DIN 934 Hex nut M12 galv.	DIN 934 Écrou hex. M12 zingué
33.300	50.160	Blechmutter/Schnappmutter	Blechmutter metrisch	Blechmutter metrisch

Z.-Nr. Item No. No. écl.	Art.-Nr. Order No. N° réf.	Artikel D	Designation GB	Designation F
33.301	62.913	Motorhalter	Fixation for motor	Fixation de moteur
33.302	50.940	DIN 933 6-Kant-Schraube M6x50 zn	DIN 933 Hex screw M6x50 galv.	DIN 933 Boulon hex. M6x50 zingué
33.303	50.888	DIN 934 6-Kant-Mutter M6 zn	DIN 934 Hex nut M6 galv.	DIN 934 Écrou hex. M6 zingué
33.304	50.088	Tensilock-Schraube M8x16 zn F90	Self-locking screw M8x16 F90	Vis autoblocante M8x16 zingué F90
33.305	50.092	Tensilock-Sicherungsmuttern M8 zn F90	Self-locking nut M8 F90	Ecrou autoblocant M8 zingué F90
33.306	62.914	Wanne	Tup	Bac
33.307	51.003	DIN 9021 Scheibe D4,3 zn	DIN 9021 Washer D4,3 galv.	DIN 9021 Rondelle D4,3 zingué
33.308	51.001	DIN 7976 Blechschraube 4,2x13 zn	DIN 7976 Self-tapping screw 4,2x13 galv.	DIN 7976 Vis à tôle 4,2x13 zingué
33.309	62.915	Rückwand	Rear panel	Panneau arrière
33.310	51.164	DIN 967 Schraube M5x16	DIN 967 Screw M5x16	DIN 967 Vis M5x16
33.321	72.406	Führungsschiene	Guide rail	Rail de guidage
33.323	62.917	Aufnahme Führungsschiene	Carrier guide rail	Logement de rail de guidage
33.324	51.008	DIN 7991 Senkk Innen-6-Kant M5x10 zn	DIN 7991 Countersunk socket head hex screw M5x160	DIN 7991 Vis 6 pans creux M5x10 zingué
33.325	71.506	Softroller	Softroller	Softroller
33.327	50.208	Linsenflanschkopfschraube	Binding head screw	Vis à tête bombée
33.328	62.918	Aufnahme Führung Tür rechts	Carrier guide right	Logement de guidage à droit
33.329	51.008	DIN 7991 Senkk Innen-6-Kant M5x10 zn	DIN 7991 Countersunk socket head hex screw M5x160	DIN 7991 Vis 6 pans creux M5x10 zingué
33.330	62.919	Aufnahme Führung Tür links	Carrier guide left	Logement de guidage à gauche
33.331	51.008	DIN 7991 Senkk Innen-6-Kant M5x10 zn	DIN 7991 Countersunk socket head hex screw M5x160	DIN 7991 Vis 6 pans creux M5x10 zingué
33.333	50.208	Linsenflanschkopfschraube	Binding head screw	Vis à tête bombée
33.334	62.285	Scheibe Plexi 445x200x4	Disc Plexi 445x200x4	Vitre Plexi 445x200x4
33.335	62.502	Federkralle	spring claw	Federkralle
33.336	50.835	DIN 985 6-Kant-Mutter M4 zn	DIN 985 Hex nut M4 galv.	DIN 985 Écrou hex. M4 zingué
33.337	62.192	Abdeckstopfen für Führung Schiebetür	Cap for guiding sliding door	Bouchon de recouvrement pour guidage de porte
33.338	64.051	Türpuffer	Door damper	Tampon de porte
33.340	50.208	Linsenflanschkopfschraube	Binding head screw	Vis à tête bombée
33.341	62.285	Scheibe Plexi 445x200x4	Disc Plexi 445x200x4	Vitre Plexi 445x200x4
33.342	62.502	Federkralle	spring claw	Federkralle
33.343	50.835	DIN 985 6-Kant-Mutter M4 zn	DIN 985 Hex nut M4 galv.	DIN 985 Écrou hex. M4 zingué
33.344	64.051	Türpuffer	Door damper	Tampon de porte
33.345	64.356	Zahnriemen HTD	Toothed belt HTD	Courroie crantée HTD
33.346	62.923	Klemmung	Clip	Clip
33.347	50.032	DIN 125 Scheibe B5,3 ST zn	DIN 125 Disc B5,3 ST galv.	DIN 125 Rondelle B5,3 ST zingué
33.348	50.930	DIN 912 Inbusschraube M5x16 zn	DIN 912 Socket head screw M5x16 galv.	DIN 912 Boulon Inbus M5x16 zingué
33.349	50.981	DIN 985 6-Kant-Mutter M5 zn	DIN 985 Hex nut M5 galv.	DIN 985 Écrou hex. M5 zingué
33.350	62.936	Aufnahme Riemenrad	Pulley housing	Logement de poulie
33.351	50.032	DIN 125 Scheibe B5,3 ST zn	DIN 125 Disc B5,3 ST galv.	DIN 125 Rondelle B5,3 ST zingué
33.352	50.161	DIN 7991 Senkk Innen-6-Kant M3x10 zn	DIN 7991 Countersunk socket head hex screw M3x10	DIN 7991 Vis 6 pans creux M3x10 zingué
33.353	62.925	Führungswinkel	Guiding bracket	Guidage
33.354	50.208	Linsenflanschkopfschraube	Binding head screw	Vis à tête bombée
33.355	62.937	Zahnriemenrad Z 18	Toothed belt pulley Z 18	Poulie de courroie Z 18
33.356	62.938	Gleitlager mit Bund 5x8x10	Plain bearing 5x8x10	Paliers à collerette 5x8x10
33.357	50.149	DIN 912 Inbusschraube M5x35 zn	DIN 912 Socket head screw M5x35	DIN 912 Boulon Inbus M5x35 zingué

Z.-Nr. Item No. No. écl.	Art.-Nr. Order No. N° réf.	Artikel D	Designation GB	Designation F
			galv.	
33.358	50.405	DIN 934 6-Kt-Mutter M5 zn	DIN 555 Hex nut M5 galv.	DIN 555 Écrou hex. M5 zingué
33.359	64.051	Türpuffer	Door damper	Tampon de porte
33.360	62.928	Abdeckung	Cover	Couvercle
33.361	51.164	DIN 967 Schraube M5x16	DIN 967 Screw M5x16	DIN 967 Vis M5x16
33.362	64.077	Abdeckkappe	Cap	Cache
33.363	62.926	Haube	Cover	Capot
33.364	51.164	DIN 967 Schraube M5x16	DIN 967 Screw M5x16	DIN 967 Vis M5x16
33.365	64.003	Türgriff	Door handle	Poignée de porte
33.366	51.003	DIN 9021 Scheibe D4,3 zn	DIN 9021 Washer D4,3 galv.	DIN 9021 Rondelle D4,3 zingué
33.367	50.017	DIN 127 Federring B4 zn	DIN 127 Split washer B4 galv.	DIN 127 Rondelle Grower B4 zingué
33.368	51.095	DIN 7985 Linsenschraube M4x8	DIN 7985 Oval head screw M4x8	DIN 7985 Vis á tête bombée M4x8
33.371	50.032	DIN 125 Scheibe B5,3 ST zn	DIN 125 Disc B5,3 ST galv.	DIN 125 Rondelle B5,3 ST zingué
33.372	50.825	DIN 934 6-Kant-Mutter M4 zn	DIN 934 Hex nut M4 galv.	DIN 934 Écrou hex. M4 zingué
33.373	50.067	Tensilock-Schraube M6x12 zn F90 8.8	Self-locking screw M6x12 8.8	Vis autoblocante M 6x12 zinguée
33.374	61.294	Schraubensicherung mittelfest	Screw locking	Fusible de vis
33.380	61.382	Kegelradsatz linke Verzahnung	Bevel gear set left toothing	Jeu de pignons coniques coordination gauche
33.381	74.521	Aufarbeitungsset für Bedienteil	Refurbishment kit for control unit	Kit de révision du boîtier de commande
33.382	72.275	Frequenzumrichter	Frequency converter	Convertisseur de fréquence
33.383	74.524	Kurvenscheibe	Cam disc	Came
33.384	72.402	Lagerung Mischeinheit	Bearing mixing unit	Roulement d'unité de mélange
33.388	72.165	Spannteller unten kpl.	Clamping plate bottom	Plateau de serrage inférieur
33.391	72.438	Spannteller oben kpl.	Clamping plate top	Clamping plate top
33.392	72.337	Spannbacken oben montiert	Clamping jaw top assembled	Mâchoire de serrage supérieure assemblé
33.394	50.160	Blechmutter/Schnappmutter	Blechmutter metrisch	Blechmutter metrisch
33.395	74.163	Verriegelung Tür	Door locking	Verouillage de porte
33.396	72.413	Bedienteil BIAx35	Control unit BIAx 35	Boitier de commandes BIAx 35
33.397	72.405	Verrigelung Mischeinheit	Interlock mixing unit	Verrouillage de unité de mélange
33.398	72.408	Schiebetür rechts kpl.	Sliding door right compl.	Porte coulissante à droite compl.
33.399	72.409	Schiebetür links kpl.	Sliding door left compl.	Porte coulissante à gouche compl.
33.400	72.407	Führung Schiebetür kpl.	Guiding for sliding door compl.	Guidage de porte coulissante compl.
33.401	74.524	Kurvenscheibe	Cam disc	Came
33.424	69.042	Axialrillenkugellager DLG 19/130	Thrust ball bearing DLG 19/130	Thrust ball bearing DLG 19/130
33.427	72.762	Gewindespindel ET B35	Threaded spindle ET B35	Broche filetée ET B35

Collomix GmbH

Daimlerstr.9, D-85080 Gaimersheim

Bundesrepublik Deutschland

Tel.: ++49 (0)8458 32 98 - 0

Fax: ++49 (0)8458 32 98 30

www.collomix.de
